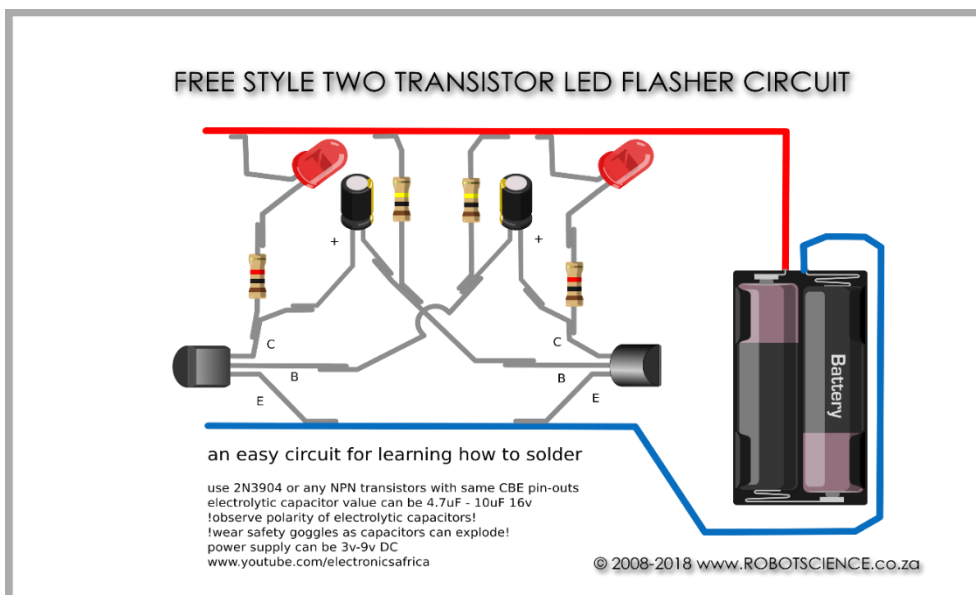
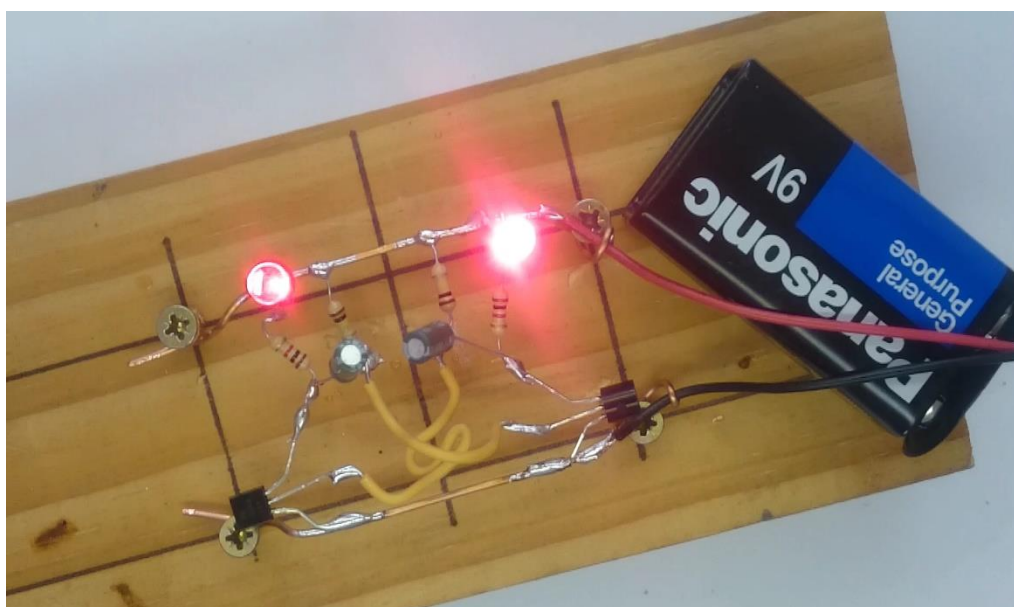


ROBOTICS 101: WORKSHOP 3.4 SOLDER A FREESTYLE TWO TRANSISTOR FLASHER

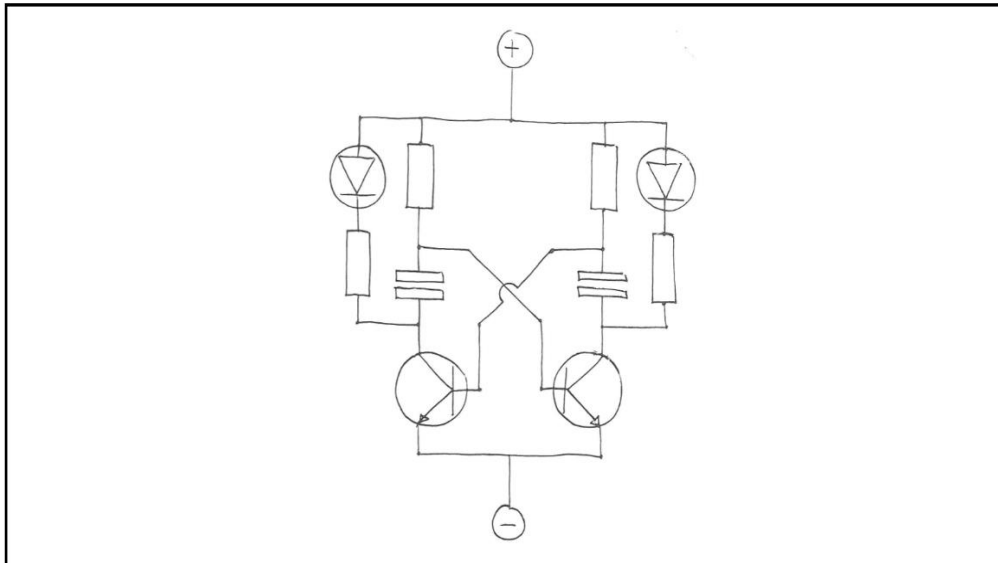
Once you are familiar with the soldering iron and have acquired some basic soldering skills by making up basic shapes like butterflies, squares and pyramids using copper wire or surplus electronic parts like resistors – and before you start building your robot – you need to solder some small (and very low cost) electronic circuits like the fun two LED flasher according to the following drawing:



Below is a video at www.youtube.com/electronicAfrica that shows you how to build the above circuit on a block of scrap wood. Find our videos on how to learn how to solder using using a Google search, and build the circuit on a scrap piece of cardboard, wood or Masonite. See if you can build it on something recycled.



TWO TRANSISTOR FLASHER SCHEMATIC



VIDEO: TWO TRANSISTOR FLASHER CIRCUIT ON PIECE OF WOOD OR CARDBOARD

